

Draw Front Profile

Door Design - Chateaux

Edge - 10mm Postformed

Cutter - Westminster & Harrogate

Minimum Draw Front Height - 140mm

Borders - 57mm Mid Rail - 114mm

Notes

Standard Split = 60/40
Any split available

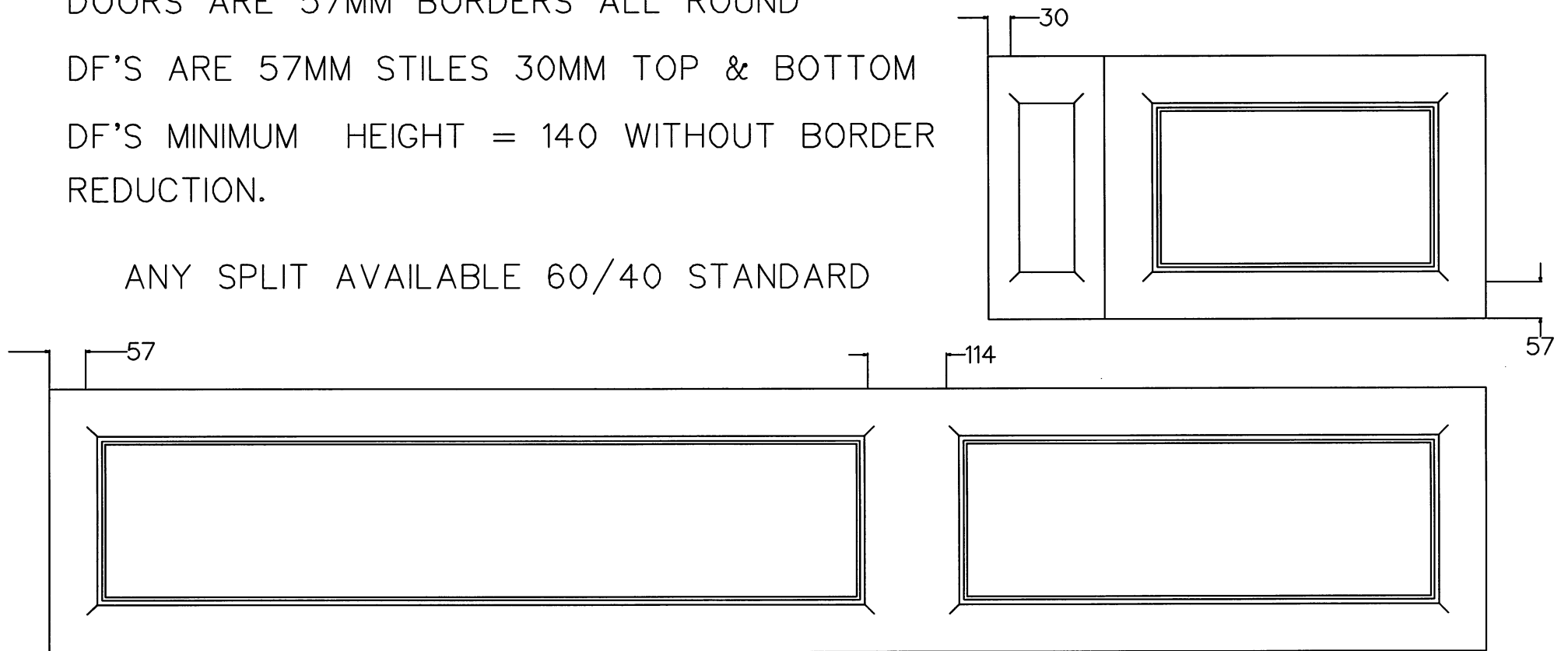
CHATEAUX DOOR SPEC

DOORS ARE 57MM BORDERS ALL ROUND

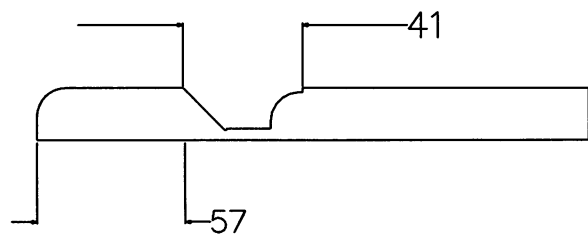
DF'S ARE 57MM STILES 30MM TOP & BOTTOM

DF'S MINIMUM HEIGHT = 140 WITHOUT BORDER REDUCTION.

ANY SPLIT AVAILABLE 60/40 STANDARD



CHATEAUX DOOR PROFILE



CHATEAUX DF PROFILE

