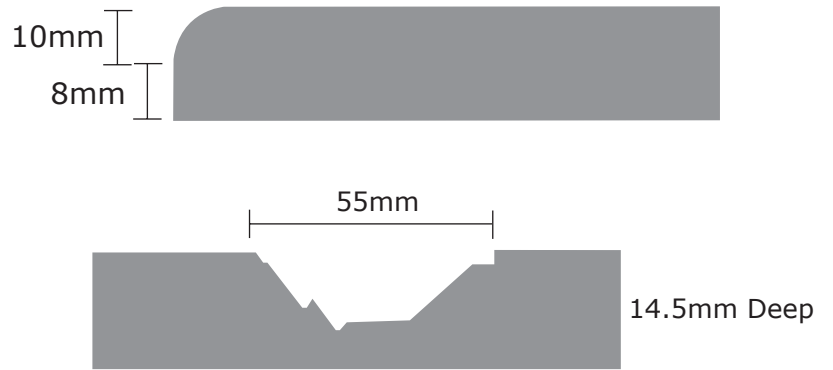


Leanne



Door Design - Leanne

Edge - 10mm Postformed

Cutter - Leanne

Minimum Draw Front Height - 140mm

Borders - 50mm Mid Rail - 100mm

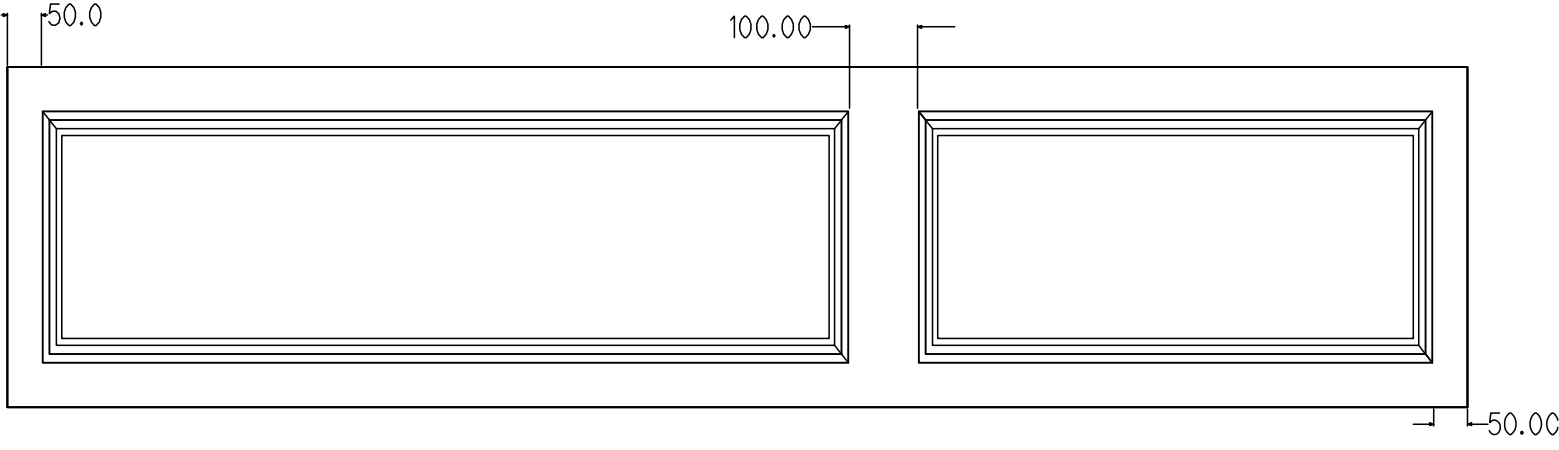
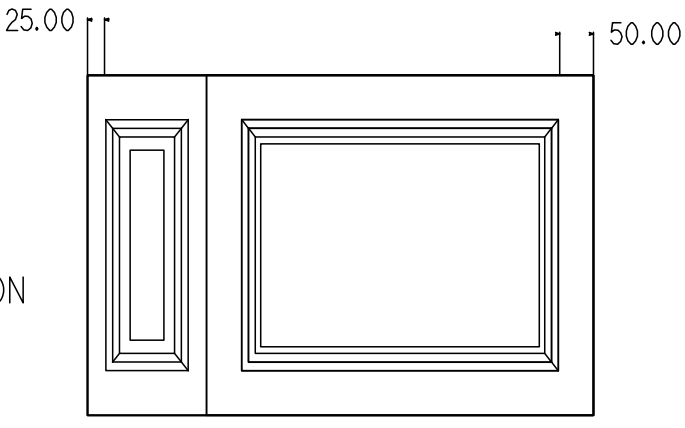
Notes

Standard Split = 60/40
Any split available

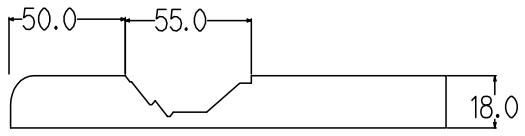
LEANNE DOOR SPEC

DOORS ARE 50MM BORDERS ALL ROUND
 DF'S 50MM STILES 25MM TOP & BOTTOM
 DF'S MINIMUM HEIGHT =140 WITHOUT BORDER REDUCTION
 115MM MINIMUM

ANY SPLIT AVAILABLE 60/40 STD



LEANNE DOOR PROFILE



LEANNE DF PROFILE

